

# FLUID HANDLING:

## Drum Topper

Convenient, portable filtration in a compact design that you can carry wherever you need to go.



EUROPE

# The Overview

## The Drum Topper:

### Where It's Used

- Decontaminating systems
- Flushing new or repaired systems
- Dispensing new oil
- Pre-filtering new oil
- Topping off reservoirs
- Collecting oil samples for analysis

### What Is Standard?

- Automatic pump pressure relief valve
- Dual-stage filtration
- Pump inlet strainer
- Pre- and post-filter sample ports
- Heavy-duty frame with oil catch pan
- Industrial powder-coated paint
- One-year warranty

### What Can I Customize?

- Color
- Micron rating of filters

## Technical Data

### Pump Type:

- Gear Pump

### Electric motor:

- 0,25 kW 110v 50 Hz 1400rpms
- 0,25 kW 230v 50 Hz 1400rpms

### Permissible flow rate:

- 10 l/min maximum

### Operating pressure:

- 6 bar maximum

### Viscosity range:

- 10-460 cSt (60 - 2270 SSU)

### Permissible operating fluid:

- Mineral oil (others on request)

### Permitted fluid temperature range:

- -10°C to 60°C

### Permitted ambient temperature:

- -10°C to 40°C

### Seals:

- NBR

### Suction Strainer:

- 250µm

### Protection class:

- IP 54

### Length of power cable:

- 5 meters

### Length of hoses:

- 2 meters

### Hose connections:

- Suction hose 3/4" ISO B
- Pressure hose 1/2" ISO B

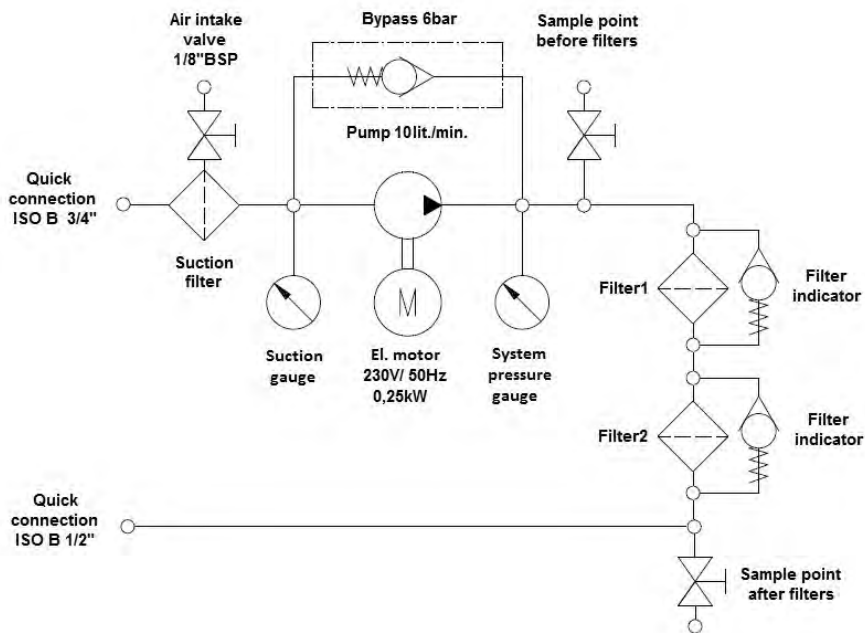
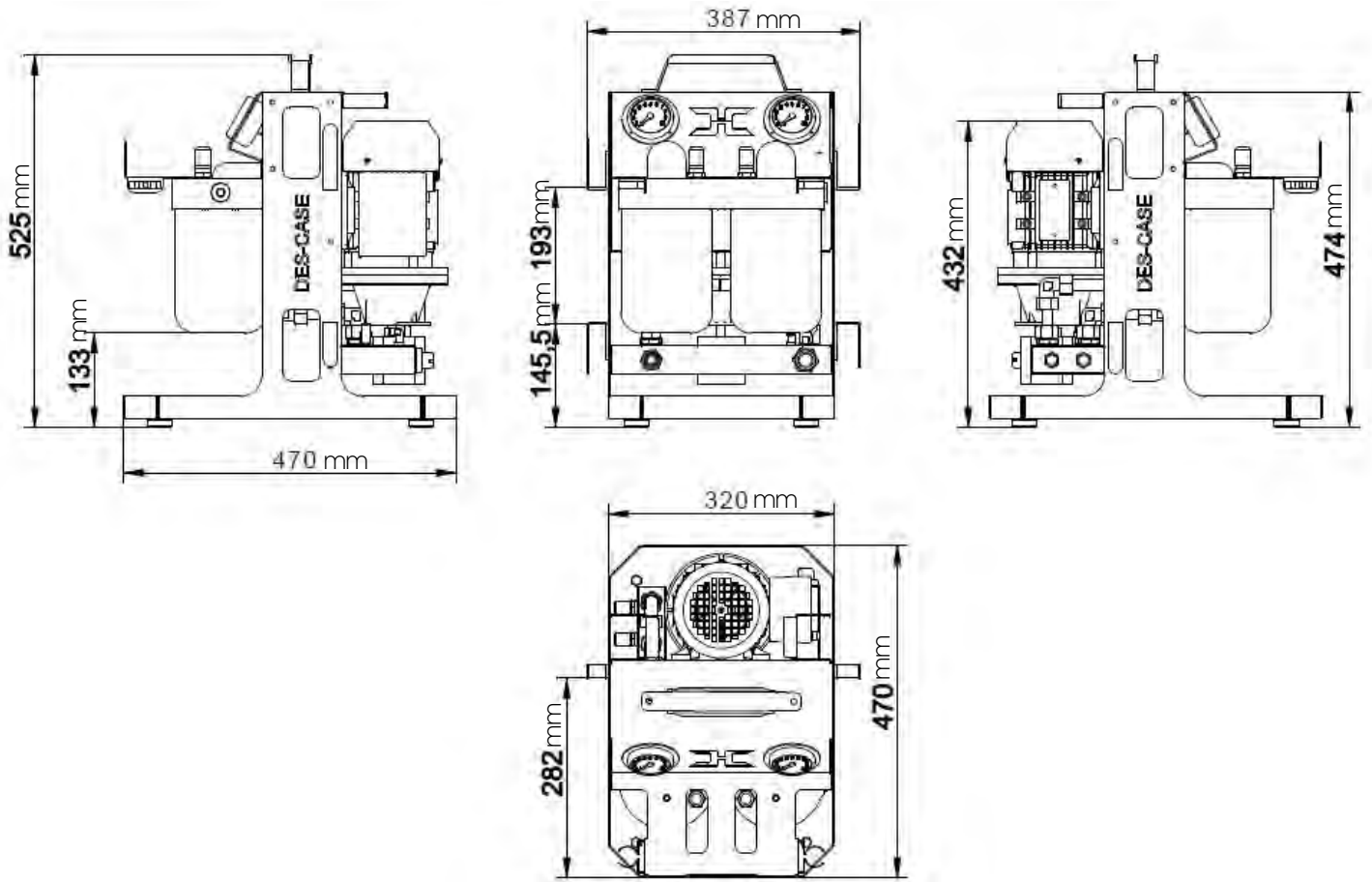
### Weight when empty:

- ≈ 24,5 kg

### Equipment:

- Suction Gauge - Visual
- Pressure Gauge - Visual
- Differential Clogging Indicator (1.55 bar)- Visual

# The Specs



# TO ORDER:

## Drum Topper

EDT								
	Box 1	Box 2	Box 3	Box 4	Box 5	Box 6	Box 7	Box 8

### Pump/Motor Combinations [Box 1]

10G	10 lpm/0,25 kW, 110 V 50 Hz, 1400 rpms
10H	10 lpm/0,25 kW, 230 V, 50 Hz, 1400 rpms

### Drain & Fill Connector Type [Box 2]

Code	Description
R	ISO B Connector-BSPP

### Drain & Fill Sizing [Box 3]

Code	Description
1	Drain: 3/4" hose & connection Fill: 1/2" hose & connection

### Filter A [Box 4]/Filter B [Box 5]

Code	Description
K	3-micron Particulate Filter
L	6-micron Particulate Filter
M	12-micron Particulate Filter
N	25-micron Particulate Filter
W	Water Filter

### Manual Filter Bypass [Box 6]

Code	Description
0	None

### Sample Valves [Box 7]

Code	Description
1	Standard Minimes

### Custom Colors [Box 8]

Code	Description
1	Brushed Aluminum
2	Black
3	White
4	Blue
5	Red
6	Yellow

### Replace Your Elements

Part No.	Micron Rating
EFC-KF	Beta 200 @ 3µm
EFC-LF	Beta 200 @ 6µm
EFC-MF	Beta 200 @ 12µm
EFC-NF	Beta 200 @ 25µm
EFC-WF	Water Removal

# FLUID HANDLING:

## The Entire Des-Case Line

We offer a full range of fluid handling and filtration products in Portable Filtration, Dedicated Filtration, Water Removal, Lubricant Storage & Filtration, Filter Elements, and Adapter Kits to suit your needs.